



# LTG12-20

Valve-regulated lead-acid battery

# DEEP CYCLE GEL SERIES

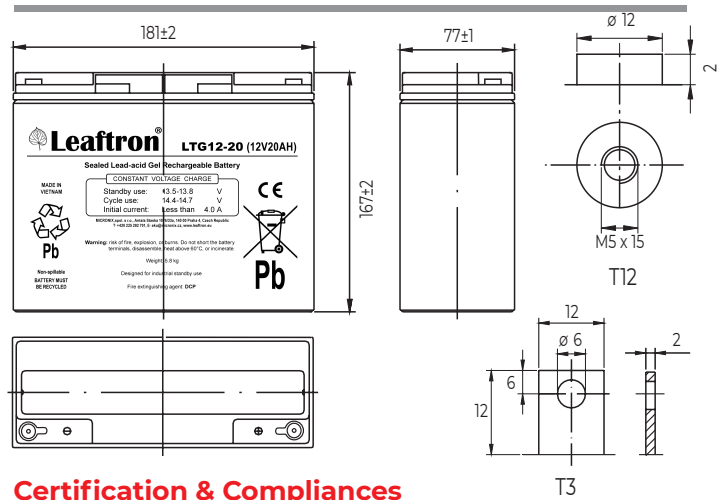
## Characteristics

Nominal voltage	12V (6 cells per unit)	
Nominal capacity at 20 hours rate/10.5V (25°C)	20Ah	
Capacity (25°C)	10 Hours rate/10.8V	17.9Ah
	5 Hours rate/10.8V	16Ah
Terminal type	T12/T3	
Torque	3.0±0.6N.m	
Approx. internal resistance (25°C)	13.0mΩ	
Dimensions	Length	181±2mm (7.13inch)
	Width	77±1mm (3.03inch)
	Height	167±2mm (6.57inch)
	Total height	167±2mm (6.57inch)
Design Life (stand-by)	JIS at 25°C	12 years
	Eurobat at 20°C	10/12 years
Weight	5.80kg (12.79lbs)±4%	
Nominal operating temperature	25±3°C (77°F±5)	
Operating temperature range	Discharge	-15°C~50°C (5°F~122°F)
	Charge	-10°C~50°C (14°F~122°F)
	Storage	-20°C~50°C (-4°F~122°F)
Float charging voltage at 25°C	13.5V~13.8V	
Cyclic charging voltage at 25°C	14.4V~14.7V	
Temperature compensation	Float charge	-18 mV/°C/Block
	Cycle charge	-30 mV/°C/Block
Max. charging current (A)	4.0A	
Max. discharge current for 5 seconds	300A	
Self discharge rate (25°C)	≤3%/month	
Battery container ABS UL94-HB	V-0 optional	

## Overview

Leftron AGM GEL Series are manufactured following the highest demands in the deep cycle and renewable energy applications. The batteries use colloidal or foamed silica gel to immobilize the electrolyte, which further enhances the cycling stability. Available in top and front terminal types.

## Dimensions & Terminal Type (mm)



## Certification & Compliances



Compliant to: EUROBAT, RoHS, WEEE's and Reach. Manufactured according to IEC 60896-21 / 22

## Construction

Component	Positive Plate	Negative plate	Container	Separator	Electrolyte	Safety valve	Terminal
Raw material	Lead dioxide	Lead	ABS (V-0 opt.)	AGM	Sulfuric Acid Gel	Rubber	Copper

## Constant current discharge characteristics at 25°C

(Ampere/battery)

F.V/Time	5min	10min	15min	30min	60min	2h	3h	4h	5h	10h	20h
9.60V	61.6	42.0	35.0	20.4	12.4	7.00	4.94	4.00	3.37	1.86	1.02
9.90V	59.8	40.7	34.2	20.0	12.2	6.96	4.91	3.97	3.35	1.85	1.01
10.2V	57.3	39.1	32.9	19.4	11.9	6.90	4.87	3.95	3.32	1.84	1.01
10.5V	54.8	37.4	31.8	18.9	11.7	6.80	4.84	3.92	3.30	1.83	1.00
10.8V	51.7	35.3	30.1	18.2	11.3	6.62	4.69	3.80	3.20	1.79	0.98

## Constant power discharge characteristics at 25°C

(Watts/battery)

F.V/Time	5min	10min	15min	30min	60min	2h	3h	4h	5h	10h	20h
9.60V	687	474	399	234	144	81.9	58.6	47.6	40.2	22.3	12.2
9.90V	667	460	389	229	141	81.5	58.3	47.3	40.0	22.2	12.1
10.2V	639	441	375	222	138	80.7	57.9	47.0	39.7	22.1	12.1
10.5V	612	422	362	217	135	79.5	57.5	46.7	39.4	22.0	12.0
10.8V	577	398	343	209	131	77.5	55.8	45.3	38.2	21.5	11.8