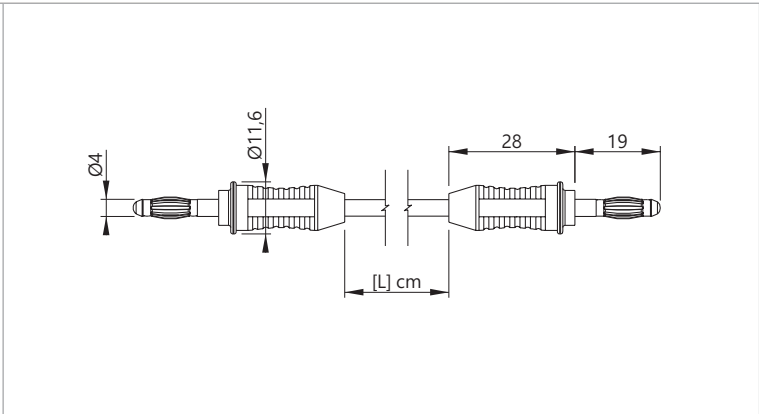




## TYPE 2810

Ø4MM STRAIGHT BANANA PLUGS  
**FICHES BANANES MÂLES Ø4MM DROITES**  
 Ø4MM GERADE BANANENSTECKER BEIDSEITIG



Reference  
Référence  
Bestell-Nr **281[X]-[L]-#**

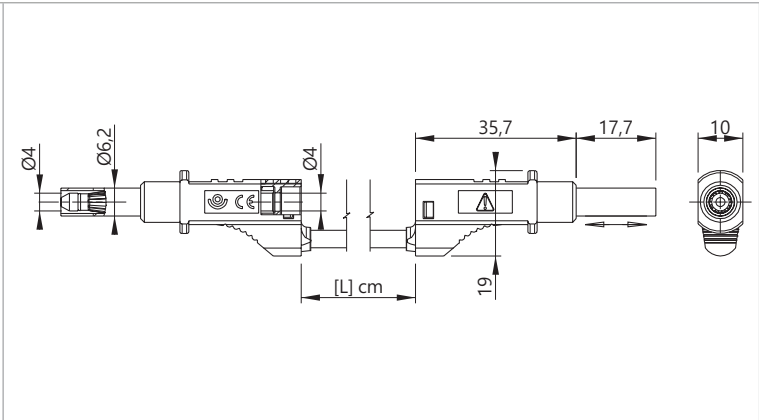
Wire  
Câble  
Litze PVC [X] : 0,75mm<sup>2</sup> [0] • 1mm<sup>2</sup> [2] • 1,5mm<sup>2</sup> [5] • 2,5mm<sup>2</sup> [7]  
 SIL [X] : 0,75mm<sup>2</sup> [1] • 1mm<sup>2</sup> [9] • 1,5mm<sup>2</sup> [3] • 2,5mm<sup>2</sup> [4]

| Lengths<br>Longueurs<br>Längen<br>[cm] | Rated voltage<br>Tension assignée<br>Bemessungsspannung | Rated current<br>Intensité assignée<br>Bemessungsstrom                                                           | Contact parts<br>Contacts<br>Kontaktteile                                                                                                                         | Insulation<br>Isolant<br>Isolierteile | Colours [#]<br>Couleurs [#]<br>Farben [#]                                                                                                                                                                     |   |   |    |   |   |   |   |   |    |   |   |   |
|----------------------------------------|---------------------------------------------------------|------------------------------------------------------------------------------------------------------------------|-------------------------------------------------------------------------------------------------------------------------------------------------------------------|---------------------------------------|---------------------------------------------------------------------------------------------------------------------------------------------------------------------------------------------------------------|---|---|----|---|---|---|---|---|----|---|---|---|
| 10<br>25<br>50<br>100<br>150<br>200    | ≤30VAC ≤60VDC                                           | 0,75mm <sup>2</sup> / 12A<br>1,00mm <sup>2</sup> / 20A<br>1,50mm <sup>2</sup> / 25A<br>2,50mm <sup>2</sup> / 36A | Brass and CuBe / Ni coated (AuNi on request)<br><b>Laiton et CuBe / Revêtement Ni (AuNi sur demande)</b><br><b>CuBe und Messing vernickelt (AuNi auf Anfrage)</b> | PP                                    | <table border="1"> <tr> <td>R</td> <td>N</td> <td>BL</td> </tr> <tr> <td>2</td> <td>0</td> <td>6</td> </tr> <tr> <td>V</td> <td>J</td> <td>BC</td> </tr> <tr> <td>5</td> <td>4</td> <td>9</td> </tr> </table> | R | N | BL | 2 | 0 | 6 | V | J | BC | 5 | 4 | 9 |
| R                                      | N                                                       | BL                                                                                                               |                                                                                                                                                                   |                                       |                                                                                                                                                                                                               |   |   |    |   |   |   |   |   |    |   |   |   |
| 2                                      | 0                                                       | 6                                                                                                                |                                                                                                                                                                   |                                       |                                                                                                                                                                                                               |   |   |    |   |   |   |   |   |    |   |   |   |
| V                                      | J                                                       | BC                                                                                                               |                                                                                                                                                                   |                                       |                                                                                                                                                                                                               |   |   |    |   |   |   |   |   |    |   |   |   |
| 5                                      | 4                                                       | 9                                                                                                                |                                                                                                                                                                   |                                       |                                                                                                                                                                                                               |   |   |    |   |   |   |   |   |    |   |   |   |

x10

## TYPE 2210

Ø4MM STACKABLE & RETRACTABLE SLEEVE BANANA PLUGS  
**FICHES BANANES MÂLES Ø4MM EMPILABLES À FOURREAUX RÉTRACTABLES**  
 Ø4MM STAPELBARE SCHIEBEHÜLSENSTECKER BEIDSEITIG



Reference  
Référence  
Bestell-Nr **221[X]/600V-[L]-#**

Wire  
Câble  
Litze PVC [X] : 0,75mm<sup>2</sup> [0] • 1mm<sup>2</sup> [2] • 1,5mm<sup>2</sup> [5] • 2,5mm<sup>2</sup> [7]  
 SIL [X] : 0,75mm<sup>2</sup> [1] • 1mm<sup>2</sup> [9] • 1,5mm<sup>2</sup> [3] • 2,5mm<sup>2</sup> [4]

| Lengths<br>Longueurs<br>Längen<br>[cm] | Rated voltage<br>Tension assignée<br>Bemessungsspannung | Rated current<br>Intensité assignée<br>Bemessungsstrom                                                           | Contact parts<br>Contacts<br>Kontaktteile                                                                                                                         | Insulation<br>Isolant<br>Isolierteile | Colours [#]<br>Couleurs [#]<br>Farben [#]                                                                                                                                                                     |   |   |    |   |   |   |   |   |    |   |   |   |
|----------------------------------------|---------------------------------------------------------|------------------------------------------------------------------------------------------------------------------|-------------------------------------------------------------------------------------------------------------------------------------------------------------------|---------------------------------------|---------------------------------------------------------------------------------------------------------------------------------------------------------------------------------------------------------------|---|---|----|---|---|---|---|---|----|---|---|---|
| 10<br>25<br>50<br>100<br>150<br>200    | 600 V CAT II                                            | 0,75mm <sup>2</sup> / 12A<br>1,00mm <sup>2</sup> / 20A<br>1,50mm <sup>2</sup> / 25A<br>2,50mm <sup>2</sup> / 36A | Brass and CuBe / Ni coated (AuNi on request)<br><b>Laiton et CuBe / Revêtement Ni (AuNi sur demande)</b><br><b>CuBe und Messing vernickelt (AuNi auf Anfrage)</b> | PP                                    | <table border="1"> <tr> <td>R</td> <td>N</td> <td>BL</td> </tr> <tr> <td>2</td> <td>0</td> <td>6</td> </tr> <tr> <td>V</td> <td>J</td> <td>BC</td> </tr> <tr> <td>5</td> <td>4</td> <td>9</td> </tr> </table> | R | N | BL | 2 | 0 | 6 | V | J | BC | 5 | 4 | 9 |
| R                                      | N                                                       | BL                                                                                                               |                                                                                                                                                                   |                                       |                                                                                                                                                                                                               |   |   |    |   |   |   |   |   |    |   |   |   |
| 2                                      | 0                                                       | 6                                                                                                                |                                                                                                                                                                   |                                       |                                                                                                                                                                                                               |   |   |    |   |   |   |   |   |    |   |   |   |
| V                                      | J                                                       | BC                                                                                                               |                                                                                                                                                                   |                                       |                                                                                                                                                                                                               |   |   |    |   |   |   |   |   |    |   |   |   |
| 5                                      | 4                                                       | 9                                                                                                                |                                                                                                                                                                   |                                       |                                                                                                                                                                                                               |   |   |    |   |   |   |   |   |    |   |   |   |

x10