

FIRST TIME SETUP

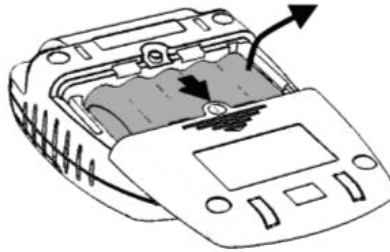
As soon as the printer has arrived, the battery pack needs to be connected and fully charged. The battery pack must be fully charged at least once every 4 months. Contact Able for more information.

Fitting/ Connecting the battery pack

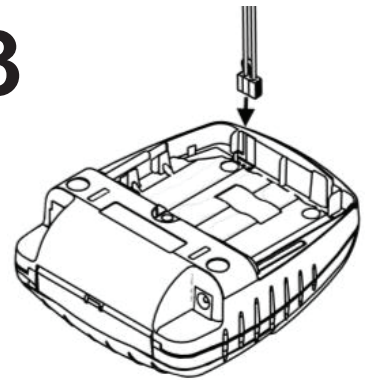
1



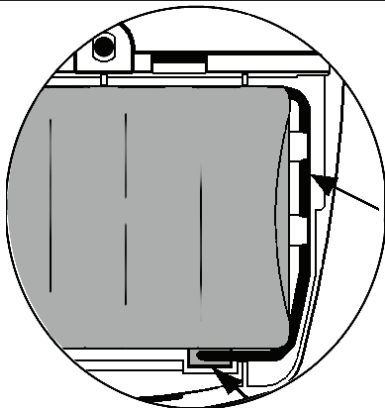
2



3



4

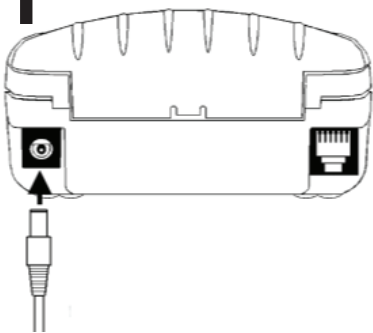


5



Connecting the AC Battery Charger (BC1300)

1



2



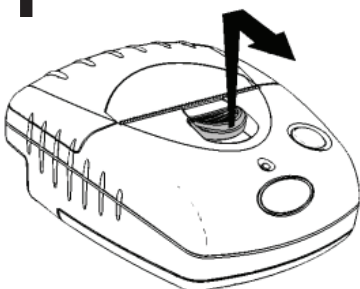
3



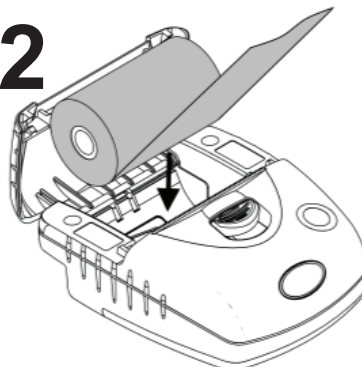
Charge for 15 hours

Loading the paper

1



2



3

